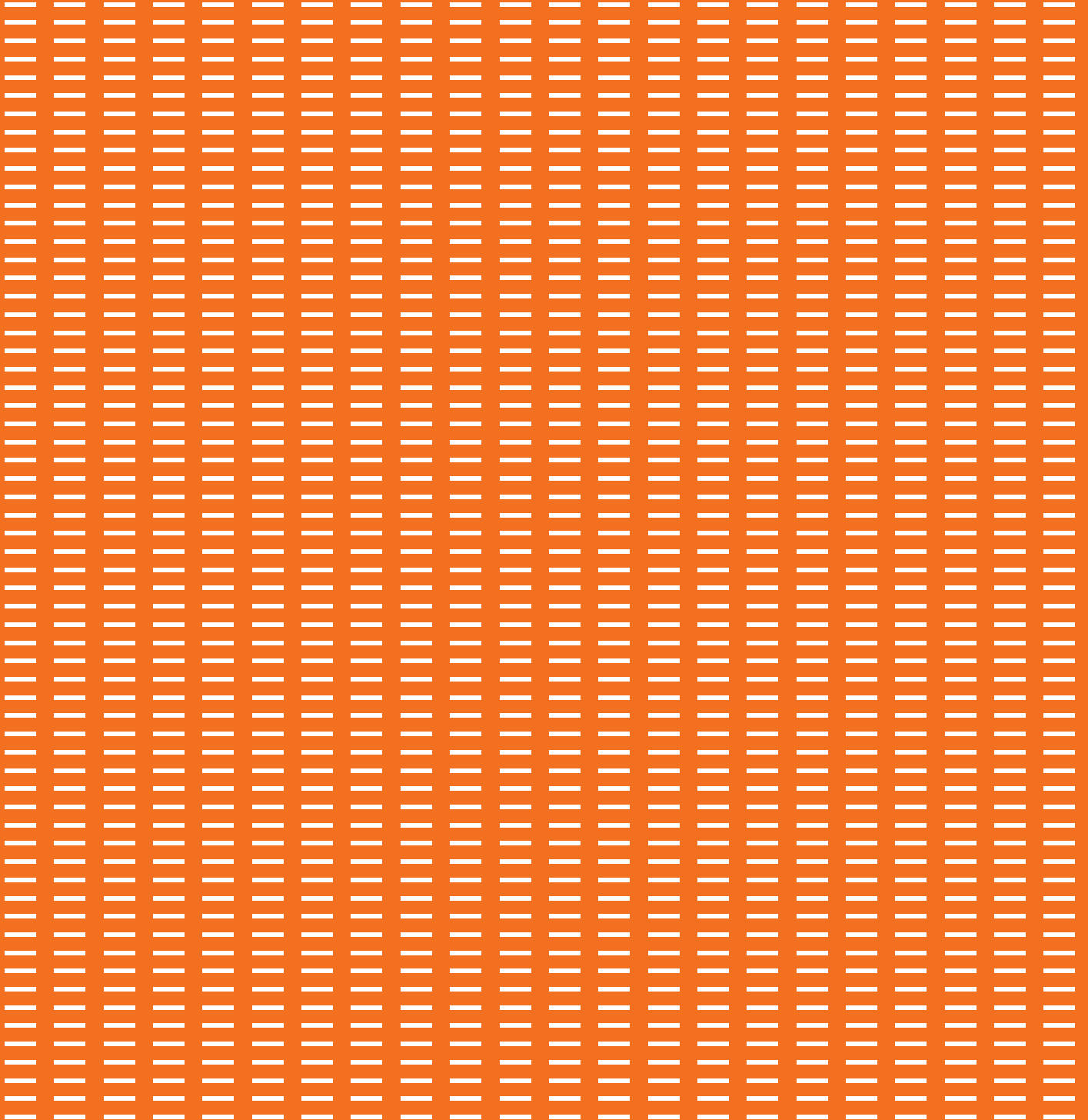


AlphaTM



Alpha is a direct mounted tilt seat stadium chair that provides spectators with long lasting ergonomic support and comfort. Chairs can be installed to either treads or risers at uniform spacing along rows, ensuring correct aisle alignment with one seat size.

The seat and backrest components are two piece polypropylene moldings that completely hide the chairs structural ribbing internally, providing smooth surfaces and eliminating any areas where dirt may accumulate. The textured inners provide the seating surfaces when bare, and can be upholstered with marine grade vinyl and closed cell urethane for external VIP and club areas.

This simple chair is delivered to site fully assembled with only the leg attachment required prior to fixing into the risers. Cup-holders and seat numbers are snapped into position with no fixings or tools required.

Mounting system

Alpha is directly mounted to tread or risers by two galvanized steel uprights inserted into the backrest internal cavity. Each leg is mounted into the sub-structure with a single M8 [5/16"] fixing anchor.

Gravity tilt seats

Gravity-tilt seats, using fully enclosed counterweights are silent, dependable and reliable – a sensible alternative to high maintenance and unreliable pivot springs.

Independent seating inner surfaces

Seat and backrest sitting surfaces are separate moldings that are attached with a combination of internal clips and mechanical fasteners. When upholstery is required these inner moldings are directly upholstered preserving the ideal ergonomic contouring of the chair, and also providing easy removal/replacement if maintenance is required. Inner moldings can be supplied in an alternate colour to the outers, providing a two tone colour scheme if desirable.

Easy installation

Alpha is delivered to site as a fully assembled chair. Installers only need to insert the steel mounting legs and locate the chair onto preset anchor studs. Seat numbers and cup-holders are snapped into position, not requiring fixings or tools.

Use of recycled plastics

In an effort to minimize the effect on the environment, recycled plastics are used in the molding of non structural components, such as seat and backrest upholstery inners. All plastic components bear the recycling code identification marking, compliant with worldwide recycling standards.

Alpha Features

	Alpha	VIP
Advanced ergonomic profile for enduring comfort	•	•
Gravity seat tilt – Silent, reliable and totally maintenance free	•	•
Seat pivot mechanism fully enclosed, ensuring safety	•	•
Full width seat	•	•
Tread, riser and removable mounting systems	•	•
Individual mounted enabling perfect aisle alignment and uniform seat centres	•	•
Cantilevered armrest provides for maximum seating area between chairs		•
Closed cell neoprene cushions resist water penetration		•
Recessed seat and backrest cushions		•
Seat number in easy to read location at front edge of seat	•	•
Quickly installed	•	•
Designed to exceed ASTM & En 12727 standard requirements	•	•

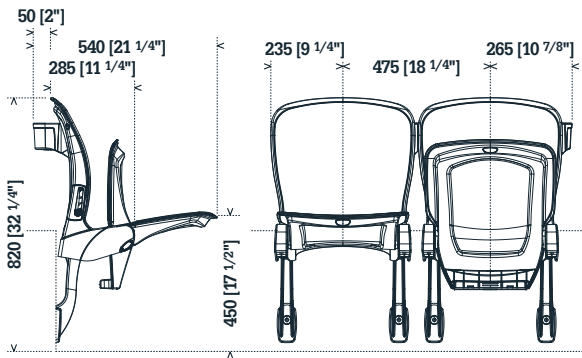
Options

Range of standard colours or custom colours available (minimum applies)	•	•
Seat numbers	•	•
Row identification	•	•
Seat fixed in down position	•	•
Seat only neoprene foam pad in marine grade vinyl for extreme outdoor conditions	•	
Cup-holders	•	•
Removable system – single & two seat units	•	•

Alpha™

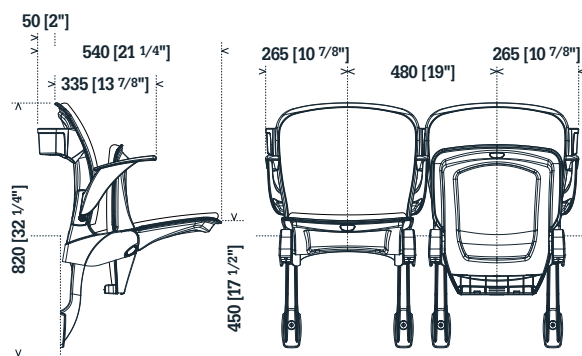
Alpha

Alpha is a direct mounted tilt seat stadium chair that provides spectators with long lasting ergonomic support and comfort. The bare plastic seating surfaces are textured to ensure patrons obtain full benefit from the ergonomically contoured surfaces.



Alpha VIP

Alpha VIP adds the comfort of seat only or seat and backrest padding combined with shared or individual double armrests. Closed cell neoprene foams with marine grade vinyl can withstand the severest of outdoor conditions. Although Alpha VIP can achieve seat centres as low as 19" (480mm), it is most suited for installation from 20" (510mm) to 22" (550mm).



Australia

Head Office & Manufacturing
Camatic Pty Ltd
93 Lewis Road
Wantirna South
Victoria 3152 Australia
Telephone: 61 3 9837 7777
Facsimile: 61 3 9837 7700
Email: sales@camatic.com
www.camatic.com

USA

Camatic Seating Inc
1010 West Eulesse Blvd
Suite 110, Eulesse
TX 76040 USA
Telephone: 1 682 503 5317
Facsimile: 1 817 633 2190

CAMATIC

Representation

Australasia
South East Asia
North America
Europe
Middle East
CIS