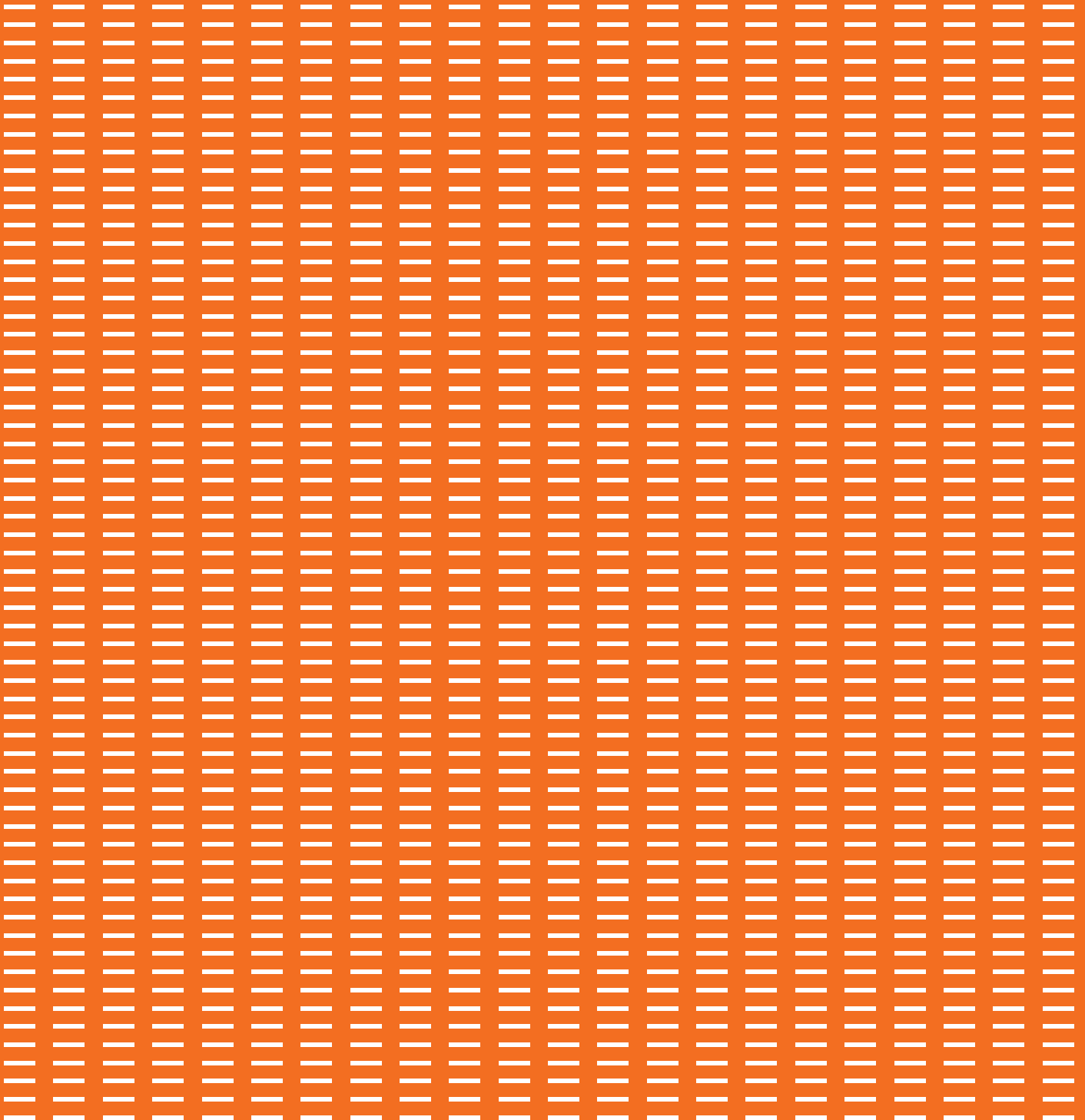


**Alpha**<sup>TM</sup>



**Alpha is a low cost stadium seat with the strength and durability required for the toughest of crowds.**

**Alpha chairs are individually mounted directly to treads or risers providing uniform seat centres and perfect aisle alignment.**

**The chair range offers flexibility with numerous mounting options, and a complete array of accessories can transform the standard bare chair into the highest end VIP solution.**

**Alpha chairs are delivered to site fully assembled in boxes and installation (like maintenance) is quick and simple.**

#### **Mounting system**

Alpha is directly mounted to tread or risers by two galvanized steel uprights inserted into the backrest internal cavity. Each leg is mounted to the sub-structure with a single M8 [5/16"] fixing anchor.

#### **Seat Pivot System**

Alpha comes standard with a revolutionary multi coiled spring system that performs both the seat tilt and ¼ push-back functions. With 5 complete winding on both sides, the springs are required to do very little work when performing the tilting function. An optional fully enclosed counterweight is available as an alternative to the spring actuated pivot system.

#### **Independent seating inner surfaces**

Seat and backrest sitting surfaces are separate moldings that are attached with a combination of internal clips and mechanical fasteners. When upholstery is required these inner moldings are directly upholstered preserving the ideal ergonomic contouring of the chair, and also providing easy removal/replacement if maintenance is required. Inner moldings can be supplied in an alternate colour to the outers, providing a two tone colour scheme if desirable.

#### **Easy installation**

Alpha is delivered to site as a fully assembled chair. Installers only need to insert the steel mounting legs and locate the chair onto preset anchor studs. Seat numbers and cup-holders are snapped into position, not requiring fixings or tools.

#### **Use of recycled plastics**

In an effort to minimize the effect on the environment, recycled plastics are used in the molding of non structural components, such as seat and backrest upholstery inners. All plastic components bear the recycling code identification marking, compliant with worldwide recycling standards.

#### **Alpha Features**

	<b>Alpha</b>	<b>Duo</b>	<b>VIP</b>
Advanced ergonomic profile for enduring comfort	•	•	•
Gravity seat tilt – Silent, reliable and totally maintenance free	•	•	•
Seat pivot mechanism fully enclosed, ensuring safety	•	•	•
Full width seat	•	•	•
Tread, riser and removable mounting systems	•	•	•
Individual mounted enabling perfect aisle alignment and uniform seat centres	•	•	•
Cantilevered armrest provides for maximum seating area between chairs			•
Closed cell neoprene cushions resist water penetration			•
Recessed seat and backrest cushions			•
Seat number in easy to read location at front edge of seat	•	•	•
Quickly installed	•	•	•
Designed to exceed ASTM & En 12727 standard requirements	•	•	•

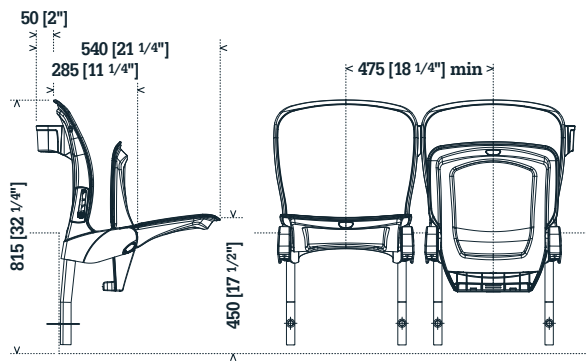
#### **Options**

Range of standard colours or custom colours available (minimum applies)	•	•	•
Seat numbers	•	•	•
Row identification	•	•	•
Seat fixed in down position	•	•	•
Seat only neoprene foam pad in marine grade vinyl for extreme outdoor conditions	•	•	
Cup-holders (back mounted)	•	•	•
Cup-holders (arm pad)			•
Removable system – single & two seat units	•	•	•

# Alpha™

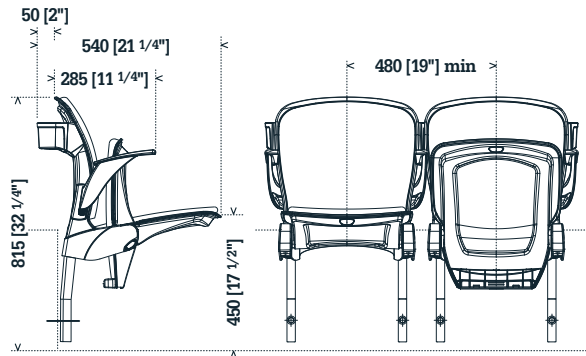
### Alpha

Alpha is a direct mounted tilt seat stadium chair that provides spectators with long lasting ergonomic support and comfort. The bare plastic seating surfaces are textured to ensure patrons obtain full benefit from the ergonomically contoured surfaces.



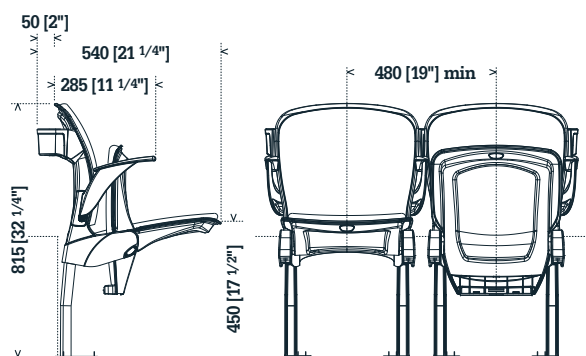
### Alpha Duo

Alpha Duo offers a venue the ability to customize individual seats to a multiple colour scheme, including residence team or clubs colours. These colour schemes can be used throughout the entire venue or in particular sections or bays to assist with crowd separation / ticketing. While the body of the chair is one colour the inner seating surfaces can be moulded to a different second colour. Whilst the chairs are initially delivered to site fully assembled in the desired colour scheme, changing out of the second colour (inners) can be performed on site cheaply and easily at a later stage, if the venue or club requires. Alpha Duo can also be provided in single or two tone colours with an embossed logo to the front face of the back inner.



### Alpha VIP

Alpha VIP adds the comfort of seat only or seat and backrest padding combined with shared or individual double armrests. Closed cell neoprene foams with marine grade vinyl can withstand the severest of outdoor conditions. Although Alpha VIP can achieve seat centres as low as 19" (480mm), it is most suited for installation from 20" (510mm) to 22" (550mm).



**Australia**

Head Office & Manufacturing  
Camatic Pty Ltd  
93 Lewis Road  
Wantirna South  
Victoria 3152 Australia  
Telephone: 61 3 9837 7777  
Facsimile: 61 3 9837 7700  
Email: sales@camatic.com  
www.camatic.com

**USA**

Camatic Seating Inc  
1010 West Eulesse Blvd  
Suite 110, Eulesse  
TX 76040 USA  
Telephone: 1 682 503 5317  
Facsimile: 1 817 633 2190

# CAMATIC

**Representation**

Australasia  
South East Asia  
North America  
Europe  
Middle East  
CIS

Camatic Seating is committed to helping the environment and uses recycled materials on non-structural components. Camatic Seating reserves the right to vary specifications without notice. All dimensions are nominal and should be confirmed with Camatic Seating.