

**CAMATIC**

**Australia**

Head Office & Manufacturing  
Camatic Pty Ltd  
93 Lewis Road  
Wantirna South  
Victoria 3152 Australia  
Telephone: 61 3 9837 7777  
Facsimile: 61 3 9837 7700  
Email: sales@camatic.com  
www.camatic.com

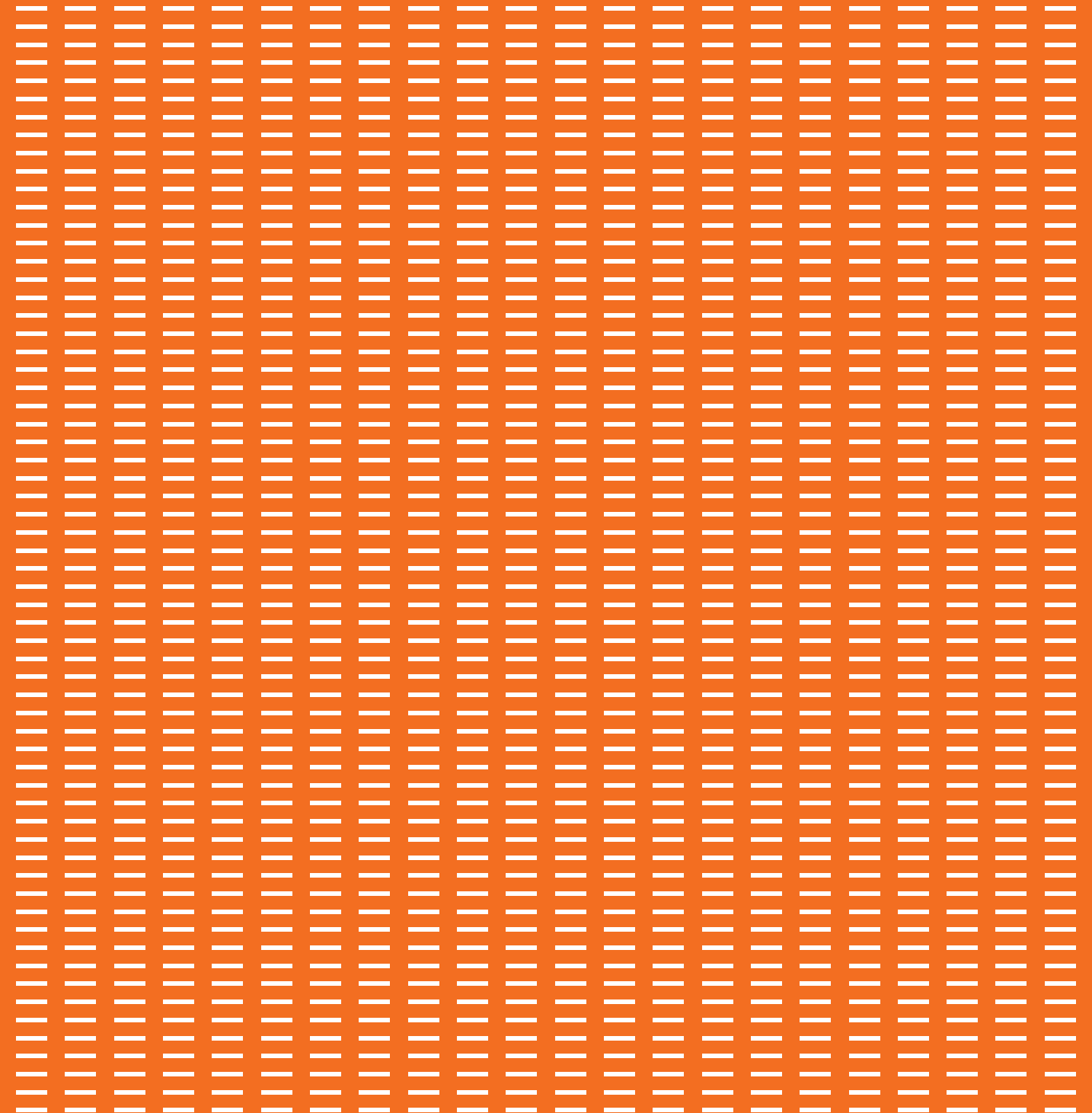
**USA**

Camatic Seating Inc  
1010 West Eules Blvd  
Suite 110, Eules  
TX 76040 USA  
Telephone: 1 682 503 5317  
Facsimile: 1 817 633 2190

**Representation**

Australasia  
South East Asia  
North America  
Europe  
Middle East  
CIS

**Matrix™**



Camatic Seating is committed to helping the environment and uses recycled materials on non-structural components. Camatic Seating reserves the right to vary specifications without notice. All dimensions are nominal and should be confirmed with Camatic Seating.

In stadiums around the world, the winner is always Matrix.

Matrix features generous seat proportions and classic styling to offer a level of comfort that is unmatched in stadium seating. Our design team has created an ergonomic seat that flexes and moves with spectators through all the emotions of the big game.

Matrix is safe and reliable, and is fitted with Camatic Seating's gravity tilt mechanism to ensure it is not only silent but simple to maintain.

From the Melbourne Cricket Ground to Portugal's Benfica Stadium, Camatic Seating ensures the maximum number of patrons can be accommodated comfortably in any venue.

All Camatic Seating products are designed, developed and built in-house by a team of professionals who are renowned for quality, leading edge technology and seamless installations around the world.

Engineered to be quick and easy to install, Matrix is effortlessly configured to any site's specific requirements. A significant Matrix design feature is the intelligent pivot system and tight envelope that provides maximum egress along rows and enhances the overall look of any stadium.

#### Mounting system

Matrix is individually mounted to treads or risers, using a galvanised steel central pedestal. Riser chairs are fixed using two M10 (3/8") fixing anchors, while tread mounted chairs require three M10 (3/8") fixings.

#### Seat configuration

Seats are installed at uniform centres along rows, ensuring correct aisle alignment.

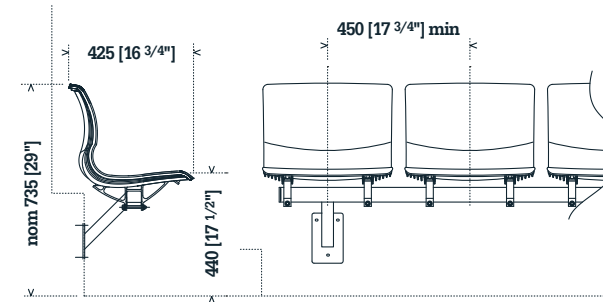
#### Gravity tilt seats

The innovative gravity tilt seats, using fully enclosed counterweights, are silent, dependable and reliable. A 3/4 pushback mechanism ensures easy access for patrons.

#### Matrix Plaza

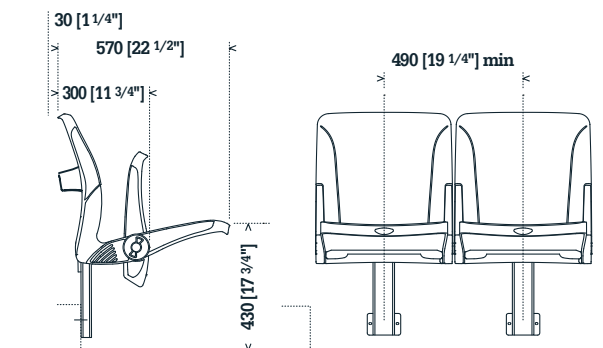
Matrix Plaza is an ergonomically designed bucket style seating solution that provides exceptional patron comfort and offers easy egress along rows while maintaining maximum seating numbers.

The robust, heavily ribbed shell can be mounted at various seat centres from 450mm [17 3/4"] on a beam system fixed to treads, risers or on top of risers. Seat and row identification is available for easy audience management.



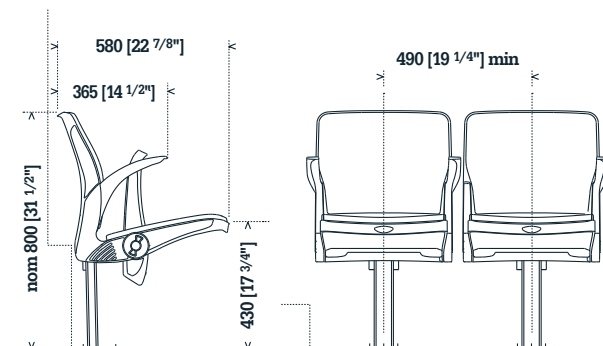
#### Matrix Bare

Matrix Bare provides patrons with exceptional comfort and safety. Seating along rows can be evenly centred to maximize the personal space of spectators, while a unique gravity seat pivot system increases access to seating locations.



#### Matrix VIP

The Matrix Upholstered range takes stadium seating comfort to a new level. The seat, or seat and back-pad version, each offers more sophisticated appointments while remaining true to typical stadium designs.



#### Matrix Features

	Plaza	Bare	VIP
Advanced ergonomic profile for enduring comfort	•	•	•
Gravity tilt seat - silent and reliable, with zero maintenance	•	•	•
Seat pivot mechanism fully enclosed, ensuring safety	•	•	•
Full width seat	•	•	•
Tread, riser and removable mounting systems	•	•	•
Individually mounted enabling perfect aisle alignment and uniform seat centres	•	•	•
Cantilevered armrest provides for maximum seating area between chairs	•	•	•
Closed cell neoprene seat and back cushions resist water penetration	•	•	•
Extended length seat cushion	•	•	•
Seat number in easy to read location at front edge of seat	•	•	•
Quickly installed	•	•	•
Designed to exceed ASTM and En 12727 standards	•	•	•

#### Options

Range of standard colours or custom colours available (minimum applies)	•	•	•
Seat numbers	•	•	•
Row identification	•	•	•
Seat fixed in down position	•	•	•
Seat only neoprene foam pad in marine grade vinyl for extreme outdoor conditions	•	•	•
Cup holders	•	•	•
Removable system	•	•	•

# Matrix™