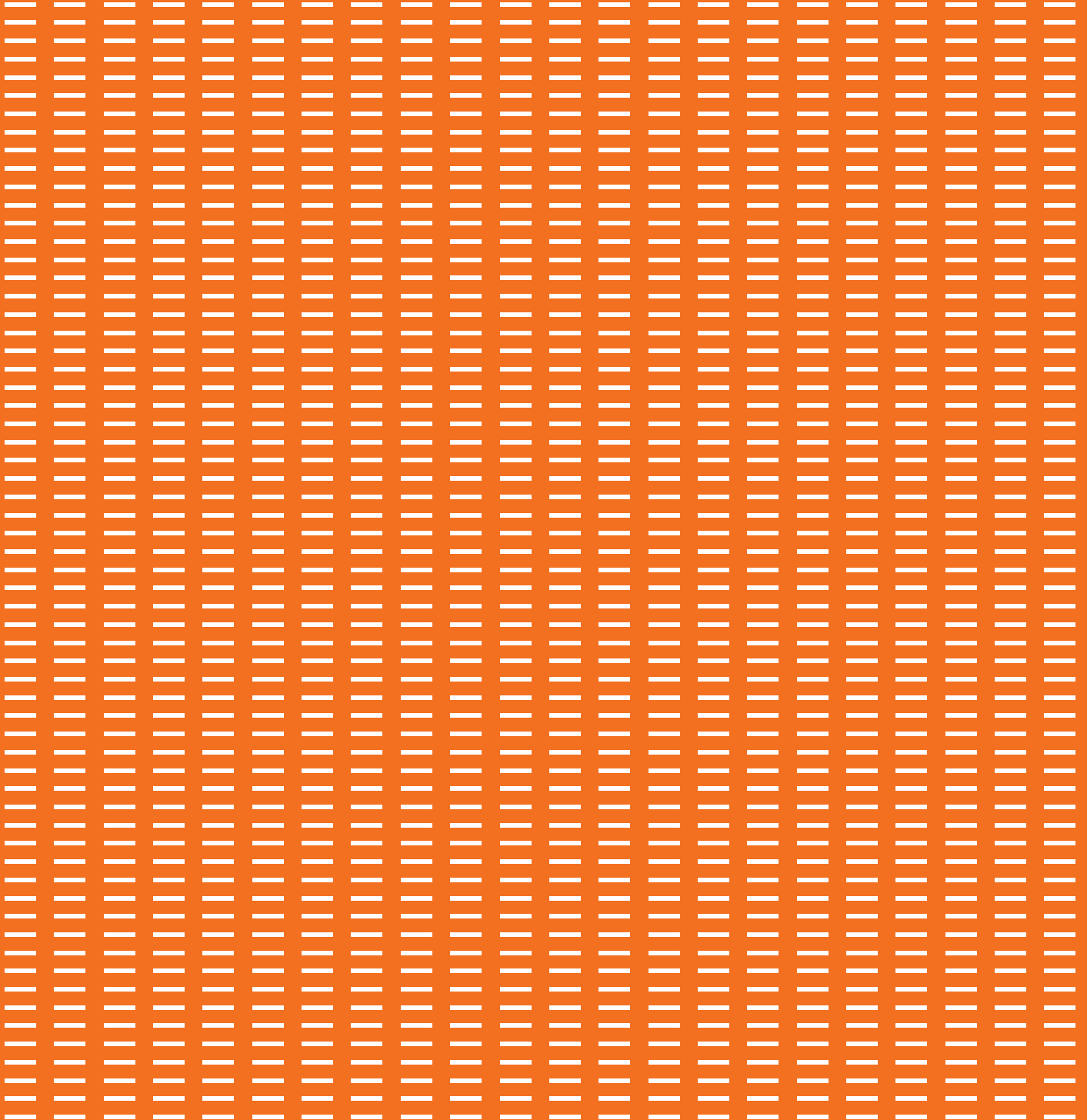


# Nostalgia™



**The Nostalgia range brings the very best of Camatic Seating technology, design and comfort to the traditional ball park.**

**Nostalgia was designed in consultation with top ergonomists to provide hours of comfort for the most passionate of sports fans.**

**As its name suggests, Nostalgia was designed to be incorporated into older stadiums where it seamlessly blends with the surrounding history and charm of the ball park, while at the same time employing the latest technology.**

**Beside its attractive look, Nostalgia is popular with venue operators because of its low maintenance requirements.**

Nostalgia by Camatic Seating is engineered to last.

Our world renowned pivot mechanism seat is both silent and maintenance free. Aluminium side support castings are lightweight and won't rust or corrode, and our superior pivot mechanism handles corners and angle changes better than any other product in the market. This mechanism provides for the customary ¾ inch pushback as standard and has a fully covered finger proof shroud.

Numbering discs in the arm scroll are an additional option, making seat identification easy.

**Multiple standards**

The Nostalgia range features three alternative mounting standards that offer flexibility with egress in both new and existing stadiums. Slim-Line, Centro and Classic standards offer solutions on treads from 29" (750mm) depth to 35" (900mm) depth, and provide for any mounting styles required. Row end identification and filigrees with club insignias are available on all standard types.

**Engineered pivot system**

The innovative pivot system uses stainless steel springs with multiple winds to ensure minimal work in raising the seat. A fully enclosed ball joint assists in keeping spring work to a minimum and enables standards to handle tight radius rows and angle changes. The self-raising mechanism significantly exceeds the requirements of ASTM 851-87.

<b>Nostalgia Features</b>	<b>Solid Back</b>	<b>Tombstone Back</b>	<b>Slat Back</b>
Maximum spectator comfort	•	•	•
Seat numbering in easy to read arm scroll from both directions	•	•	•
Engineered pivot system exceeds ASTM 851-87	•	•	•
Standards that can span angle changes – no double standards required	•	•	•
Tread, riser, top of tread mounting	•	•	•
Visually re-directed standards available		•	•
Completely non-ferrous construction eliminates corrosion or deterioration	•	•	•

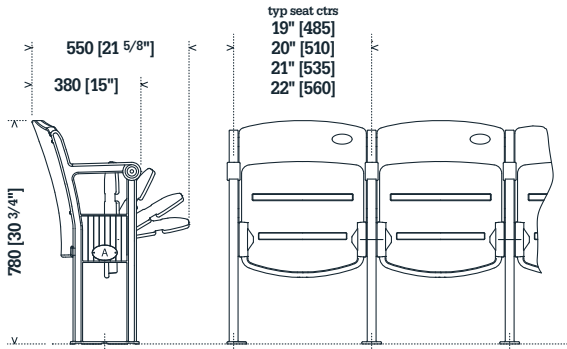
<b>Options</b>			
Range of standard colours or custom colours available	•	•	•
Seat and back pad (closed cell foam)		•	•
Seat and row identification	•	•	•
ADA lift armrest	•	•	•
Custom filigree to row end standards	•	•	•
Removable system	•	•	•
Swing away chair system	•	•	•
Cup-holders	•	•	•

# Nostalgia™

**Nostalgia Solid Back**

Nostalgia Solid Back was designed with older style football stadiums in mind, seamlessly blending a traditional appeal with the technology and comfort of today. An example of where this has worked is at the famous Pasadena Rose Bowl.

Its unique aluminium standards and zero maintenance gravity pivot system remain unrivalled in the market today.

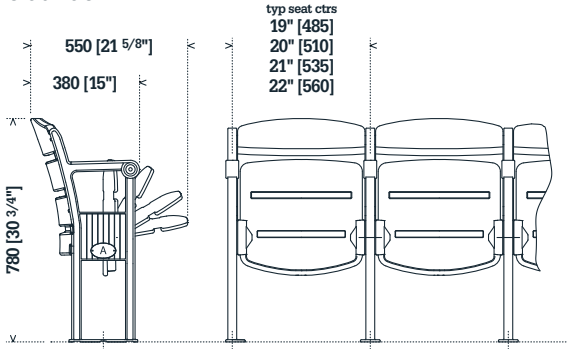


**Nostalgia Slat Back/Tombstone Back**

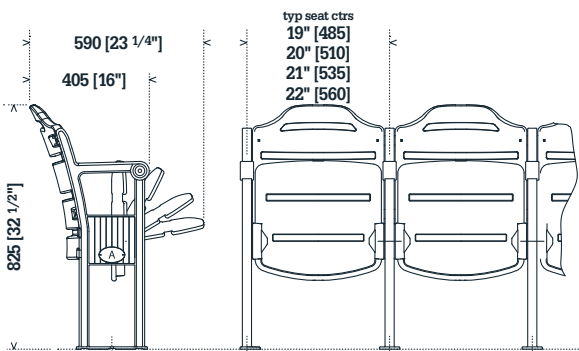
Nostalgia was originally designed for Turner Field in Atlanta, where a high level of flexibility was required for the stadium's reconfiguration following the 1996 Olympic Games. Its zero maintenance gravity pivot system has made Nostalgia a modern classic.

Nostalgia is available with a standard straight timber slat look or the popular Tombstone slat. Both options boast an attractive and authentic wood grain texture.

**Slat Back**



**Tombstone Back**



**Australia**

Head Office & Manufacturing  
Camatic Pty Ltd  
93 Lewis Road  
Wantirna South  
Victoria 3152 Australia  
Telephone: 61 3 9837 7777  
Facsimile: 61 3 9837 7700  
Email: sales@camatic.com  
www.camatic.com

**USA**

Camatic Seating Inc  
1010 West Eules Blvd  
Suite 110, Eules  
TX 76040 USA  
Telephone: 1 682 503 5317  
Facsimile: 1 817 633 2190

# CAMATIC

**Representation**

Australasia  
South East Asia  
North America  
Europe  
Middle East  
CIS